

 VERRICELLI DA RECUPERO

 RECOVERY WINCHES

 TREUILS DE RÉCUPÉRATION

 BERGUNGSSSEILWINDEN

 CABESTRANTES DE ARRASTRE

 ЛЕБЁДКИ АВТОМОБИЛЬНЫЕ

 KURTARICI VİNÇLERİ

 بکرات إنقاذ



ELETRICI SERIE WORM GEAR - ELECTRIC WORM GEAR SERIES

Verricelli elettrici da recupero a vite senza fine / Electric worm gear recovery winches

Modelli Models	CE EN 14492-1	Tiro 1° strato First line pull	Ø Fune Ø Rope	Fune consigliata Suggested rope	Max fune Max rope	Max / I 12/24 V	Velocità max Max speed	Peso Weight
		kg	mm	m	m	Ampere	m/min	kg
FIRE 1000 WG*	X	1000	6	20	36	175/90	6,4	44
FIRE 1300 WG*	X	1300	6	20	36	180/90	5,5	44
FIRE 2.7 C WG	X	2700	8	25	39	270/135	5,2	39
FIRE 2.7 M WG*	X			30	50			40
FIRE 2.7 L WG	X			40	65			43
FIRE 3.6 C WG	X	3600	10	24	30	280/140	4,5	39
FIRE 3.6 M WG*	X			30	32			40
FIRE 3.6 L WG	X			40	55			43
FIRE 5.0 C WG		5000	10	24	30	280/140	4,5	39
FIRE 5.0 M WG*				30	32			40
FIRE 5.0 L WG				40	55			43

*Pressacavo optional - fornito non montato
Cable pressing optional - Supplied not mounted

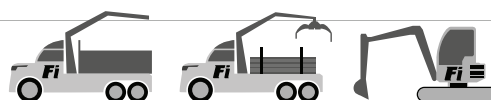
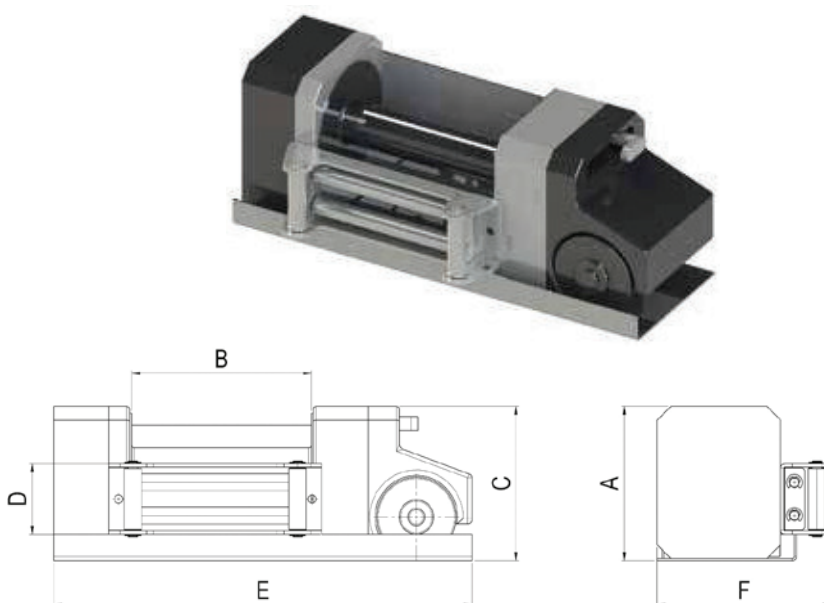
In conformità EN 2006/42/CE - EN 14492-2
According to EN 2006 42 EC - EN 14492-2

Su modelli: FIRE 1000 - 1300 GUIDAFUNE non disponibile
FIRE 1000 - 1300 CABLE GUIDE not available

VERSIONI FIRE WG: VERRICELLO ELETTRICO A VITE SENZA FINE
FIRE WG VERSION: WORM GEAR ELECTRIC RECOVERY WINCH

VERSIONI CE (EN 14492-1) FORNITE CON LIMITATORE CARICO + STACCA BATTERIE
EC VERSIONE (EN 14492-1) SUPPLIED WITH LOAD LIMITING DEVICE + BATTERIES CUT-OFF

Modelli Models	A	B	C	D	E	F
	mm	mm	mm	mm	mm	mm
FIRE 1000 WG*	260	134	190	125	430	336
FIRE 1300 WG*	260	134	190	125	430	336
FIRE 2.7 C WG		162			750	
FIRE 2.7 M WG*	277	211	193	90	750	336
FIRE 2.7 L WG		350			820	
FIRE 3.6 C WG		162			750	
FIRE 3.6 M WG*	277	211	193	90	750	336
FIRE 3.6 L WG		350			820	
FIRE 5.0 C WG		162			750	
FIRE 5.0 M WG*	277	211	193	90	750	336
FIRE 5.0 L WG		350			820	



IDRAULICI SERIE WORM GEAR - HYDRAULIC WORM GEAR SERIES

Verricelli idraulici da recupero a vite senza fine / Hydraulic worm gear recovery winches

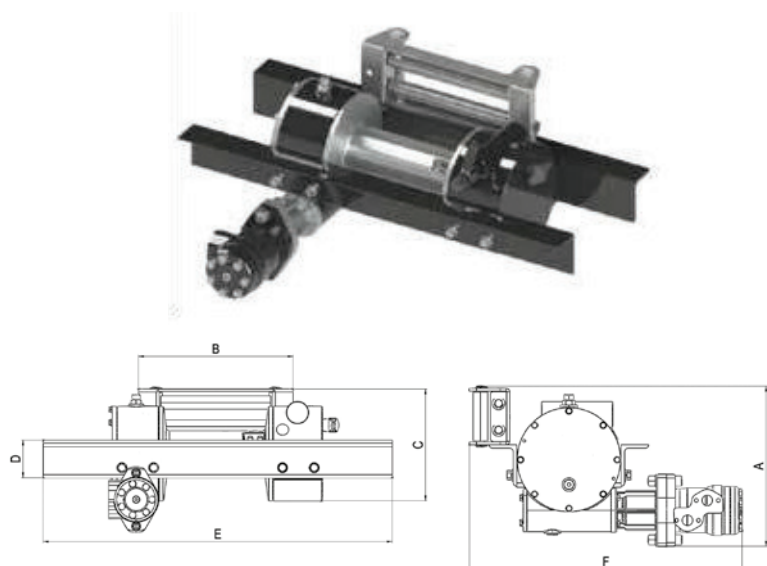
Modelli Models	CE EN 14492-1	Tiro 1° strato First line pull	Ø Funne Ø Rope	Fune consigliata Suggested rope	Max fune Max rope	Press. max Max pressure	Portata max Max oil flow	Velocità max Max speed	Peso Weight
		kg	mm	m	m	bar	l/min	m/min	kg
FIR 2.2 C WG*	X	2200	8	15	19	130	40	8	26
FIR 2.2 L WG*	X			25	29				29
FIR 2.7 C WG	X	2700	8	25	39	140	40	9	30
FIR 2.7 M WG*	X			30	51				35
FIR 2.7 L WG	X			40	87				45
FIR 3.0 C WG	X	3000	9	15	17	130	40	9	26
FIR 3.0 L WG	X			22	26				29
FIR 3.6 C WG	X	3600	10	24	24	130	40	7	30
FIR 3.6 M WG*	X			30	32				35
FIR 3.6 L WG	X			40	55				45
FIR 4.5 WG	X	4500	11	30	81	150	60	9,5	64
FIR 5.2 WG	X	5200	11	30	81	140	60	8,5	60
FIR 8.0 WG	X	8000	14	55	74	160	100	9	125
FIR 9.0 WG		9000	16	30	35	160	100	9	125
FIR 25.0 WG		25000	24	39	70	205	198	10,2	530
FIR 30.0 WG	X	30000	26	40	47	245	198	6,2	630
FIR 35.0 WG		35000	26	40	47	245	198	6,2	630
FIR 45.0 WG		45000	26	50	60	210	200	5,9	630

In conformità EN 2006/42/CE - EN 14492-2
According to EN 2006 42 EC - EN 14492-2

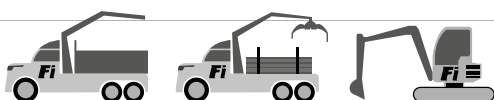
*Non è possibile montare il pressacavo / Cable pressing can't be mounted

Modelli / Models	A	B	C	D	E	F
	mm	mm	mm	mm	mm	mm
FIR 2.2 C WG*	230	160	212	82	357	470
FIR 2.2 L WG*		240			437	
FIR 2.7 C WG	275	162	190	90	500	490
FIR 2.7 M WG*		211			700	
FIR 2.7 L WG		350			820	
FIR 3.0 C WG	230	160	212	82	357	470
FIR 3.0 L WG		240			437	
FIR 3.6 C WG	275	162	190	90	500	490
FIR 3.6 M WG*		211			700	
FIR 3.6 L WG		350			820	
FIR 4.5 WG	402	297	202	102	735	585
FIR 5.2 WG	402	297	202	102	735	585
FIR 8.0 WG	488	278	270	126	860	655
FIR 9.0 WG	488	278	270	80	820	706
FIR 25.0 WG	690	380	546	195	1204	983
FIR 30.0 WG	730	350	715	234	1240	821
FIR 35.0 WG	730	350	715	234	1240	821
FIR 45.0 WG	735	353	698	150	1174	851

VERSIONI FIR WG: VERRICELLO IDRAULICO A VITE SENZA FINE
FIR WG VERSION: WORM GEAR HYDRAULIC RECOVERY WINCH



12





IDRAULICI SERIE EPICICLOIDALI - HYDRAULIC PLANETARY SERIES



Verricelli idraulici da recupero epicicloidali
Planetary hydraulic recovery winches



Modelli Models	CE EN 14492-1	Tiro 1° strato First line pull	Ø Fune Ø Rope	Fune consigliata Suggested rope	Max fune Max rope	Press. max Max pressure	Portata max Max oil flow	Velocità max Max speed	Peso Weight
		kg	mm	m	m	bar	l/min	m/min	kg
FIR 3.6 C PB	X	3600	10	24	33	160	60	28	46
FIR 3.6 L PB	X			30	43				
FIR 4.5 L PB	X	4500	11	30	38	150	60	22	48
FIR 5.2 PB	X	5200	11	30	54	130	60	16	52
FIR 6.2 PB	X	6200	12	30	39	155	60	18	58
FIR 6.7 PB	X	6700	12	30	39	165	60	18	58
FIR 10.0 PB	X	10000	15	67	80	200	75	11,1	200
FIR 12.5 PB	X	12500	15	67	80	200	75	9,2	200
FIR 15.0 PB	X	15000	18	35	50	200	75	7	210
FIR 20.0 PB	X	20000	22	40	60	210	75	9,2	410
FIR 25.0 PB	X	25000	22	40	60	210	75	7,3	410

In conformità EN 2006/42/CE - EN 14492-2
According to EN 2006 42 EC - EN 14492-2

VERSIONI PB: MOTORE EPICICLOIDALE CON FRENO NEGATIVO PB VERSION: PLANETARY GEAR WITH NEGATIVE BRAKE

Modelli Models	A	B	C	D	E	F
	mm	mm	mm	mm	mm	mm
FIR 3.6 C PB	251	200		102	628	355
FIR 3.6 L PB		252			680	
FIR 4.5 L PB	251	252		150	699	355
FIR 5.2 PB	270	252		130	700	361
FIR 6.2 PB	270	252		155	715	361
FIR 6.7 PB	270	252		165	715	361
FIR 10.0 PB	421	373		210	944	564
FIR 12.5 PB	421	373		210	951	564
FIR 15.0 PB	420	373		210	960	571
FIR 20.0 PB	533	450		198	1228	655
FIR 25.0 PB	533	450		198	1228	655

